

SPECIFICATION

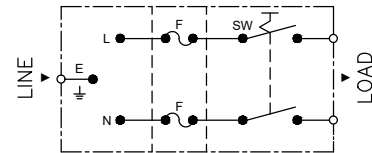
A: MATERIAL:

- 1. HOUSING: PC, UL 94V-0
- 2. TERMINAL: COPPER ALLOY, TIN PLATED

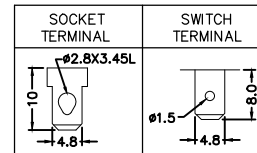
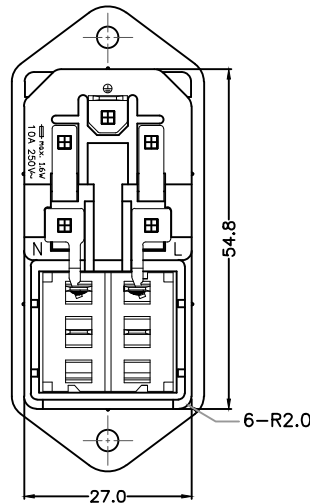
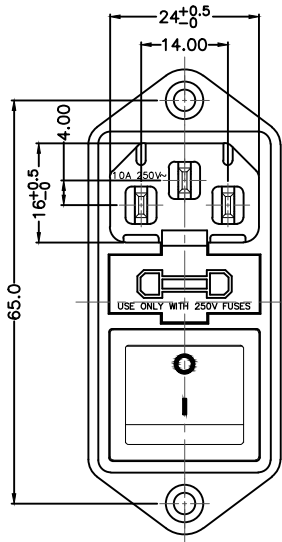
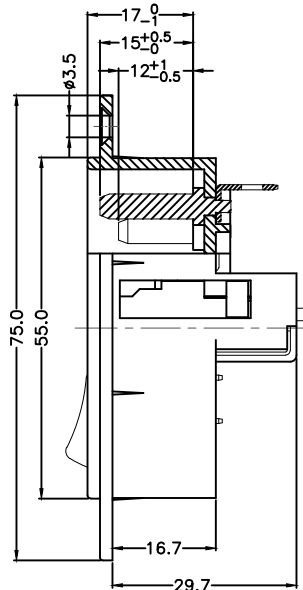
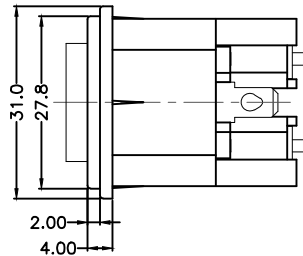
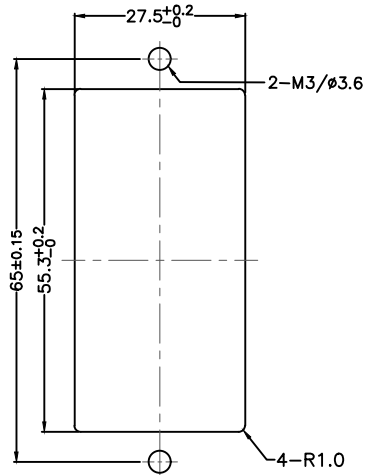
B: CHARACTERISTICS:

- 1. RATING: 10A 250V~ NORTH AMERICA & EUROPE
- 2. INSULATION RESISTANCE: 100 MΩ MIN, AT 500 V DC
- 3. ELECTRIC STRENGTH: AC 2,000 V FOR 1 MINUTE
- 4. APPLICABLE FUSE SIZE: 5x20mm

C: APPROVALS:



PANEL CUT-OUT



RoHS
COMPLIANT

TOLERANCE UNLESS OTHERWISE SPECIFIED	
X	± 1
X.X	± 0.4
X.XX	± 0.20
DRAWN BY	PB
CHECK BY	-
APPR BY	-
DATE:	11/5/21
DATE:	-
DATE:	-

Power Dynamics, Inc.
Phone: 973 560-0019 Whippany, New Jersey Fax: 973 560-0076

PART: IEC 60320 C14 INLET WITH DOUBLE FUSE
HOLDER & 2 POLE SWITCH; FLANGE MOUNT

PART #: 42R75A-2112		SHEET 1 of 1
SIZE: A	ALL DIMENSIONS FOR REFERENCE ONLY	
SCALE: NTS	REV: -	

REVISIONS	CHANGE	CHK	CHK	APPR
REV	DATE			